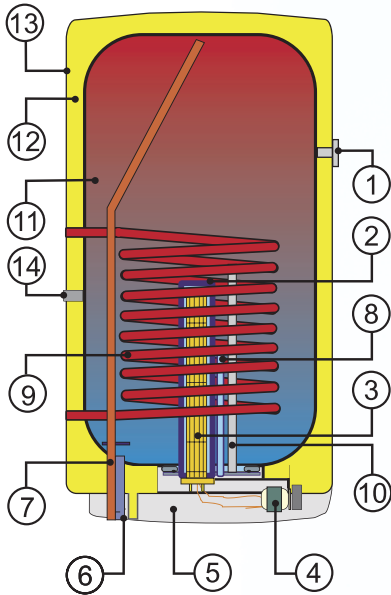


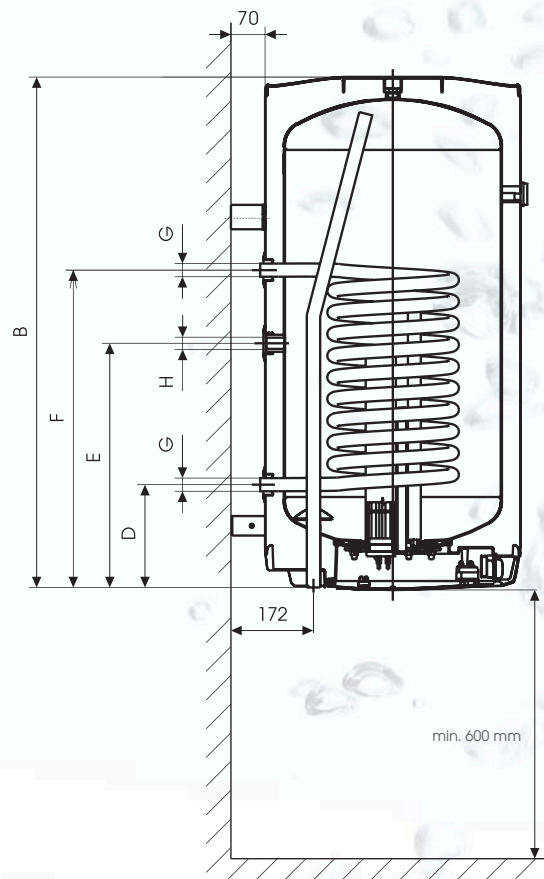
COMBINED STORAGE WATER HEATERS

Wall-mounted, vertical exchanger 0.41 m² **OKC 80**
 exchanger 0.41 m² **OKC 80 NTR/Z**
 exchanger 0.68 m² **OKC 100, OKC 125, OKC 160**
 exchanger 1 m² **OKC 100/1 m², OKC 125/1 m², OKC 160/1 m²**
OKC 100 NTR/Z, OKC 125 NTR/Z, OKC 160 NTR/Z



COMBINED water storage heater
for vertical mounting

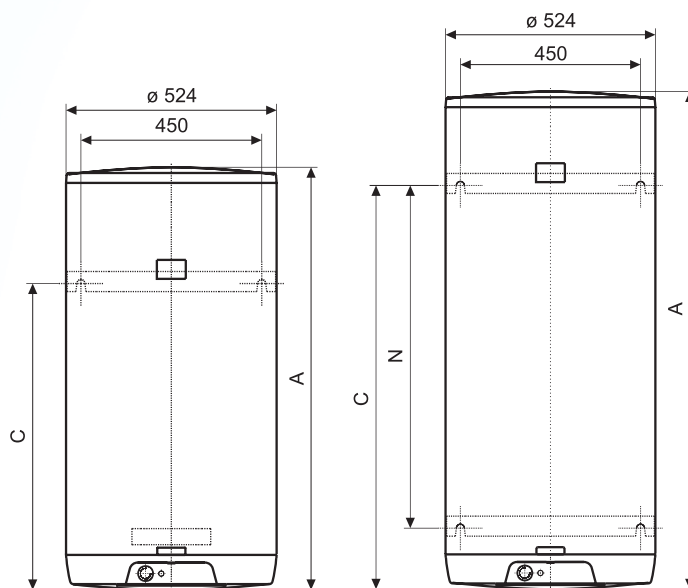
- 1 Temperature indicator
- 2 Holder for heating element
- 3 **DRY CERAMIC HEATING ELEMENT – not for NTR/Z**
- 4 Operating thermostat with external control
Safety thermostat
- 5 Cover for electrical equipment
- 6 Filling pipe for cold water
- 7 Discharge pipe for hot water
- 8 Holder for operating and safety thermostat
- 9 Tubular exchanger
- 10 Mg anode
- 11 Enamelled steel tank
- 12 Polyurethane CFC-free insulation - 42 mm
- 13 Heater casing
- 14 Circulation – only for heaters with a 1m² exchanger



Type	OKC 80 OKC 80 NTR/Z	OKC 100 OKC 100/1 m ² OKC 100 NTR/Z	OKC 125 OKC 125/1 m ² OKC 125 NTR/Z	OKC 160 OKC 160/1 m ² OKC 160 NTR/Z
A	736	881	1046	1235
B*	731	876	1041	1230
C	615	765 / 636	765 / 801	1005
D	211	211	211 / 261	211 / 261
E	-	- / 551	- / 551	- / 831
F	501	651 / 701	651 / 701	651 / 701
G	G 3/4"	G 3/4" / G1"	G 3/4" / G1"	G 3/4" / G1"
H	-	- / G 3/4"	- / G 3/4"	- / G 3/4"
N	-	-	-	720 / 815

*Distance from the upper edge of the heater to the end of the water inlet and outlet pipes.

Check dimensions B and N before drilling.



Upper hinge and mounting
80 l, 100 l, 125 l - 2 anchor
screws

Upper hinge and lower hinge
160l, 4 anchor screws
Check dimensions 450 mm
and N before drilling.

Type	OKC 80 OKC 80 NTR/Z	OKC 100 OKC 100/1 m ² OKC 100 NTR/Z	OKC 125 OKC 125/1 m ² OKC 125 NTR/Z	OKC 160 OKC 160/1 m ² OKC 160 NTR/Z
Volume (l)	75	95	120	147
Max. operating overpressure in the tank (MPa)	0.6	0.6	0.6	0.6
Max. operating overpressure in the exchanger (MPa)	1	1	1	1
Voltage (V/Hz)*	1 PE-N 230/50	1 PE-N 230/50	1 PE-N 230/50	1 PE-N 230/50
Connected load (kW) *	2	2	2	2
Electrical protection	IP 45	IP 45	IP 45	IP 45
Maximum HUW temperature (°C)	80	80	80	80
Recommended HUW temperature (°C)	60	60	60	60
Height x Diameter (mm)	736x524	881x524	1046x524	1235x524
Maximum weight of heater without water (kg)	42/39	52/58/56	58/64/62	66/72/70
Heating period with ele. en. from 10 °C to 60 °C (hour)	2.5	3	3.8	5
Heat loss/energy efficiency class (kWh/24 h)	0.71/C	0.88/C	1.09/C	1.39/C

Type	OKC 80 OKC 80 NTR/Z	OKC 100	OKC 125	OKC 160
Exchanger heating surface (m ²)	0.41	0.68	0.68	0.68
Rated exchanger output with a heating water temperature of 80 °C and flow of 720 l/h (kW)	9	17	17	17
Heating period with exchanger from 10 °C to 60 °C (min)	32	23	28	35
Rated exchanger output with a heating water temperature of 80 °C and flow of 310 l/h (kW)	7	9	9	9
Heating period with exchanger from 10 °C to 60 °C (min)	50	48	55	75

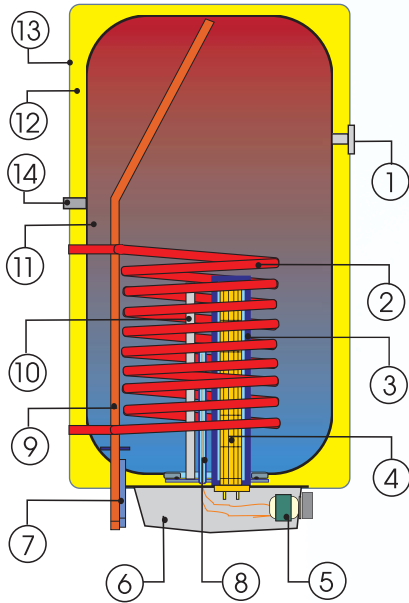
Type	-	OKC 100/1 m ² OKC 100 NTR/Z	OKC 125/1 m ² OKC 125 NTR/Z	OKC 160/1 m ² OKC 160 NTR/Z
Exchanger heating surface (m ²)	-	1.08	1.08	1.08
Rated exchanger output with a heating water temperature of 80 °C and flow of 720 l/h (kW)	-	24	24	24
Heating period with exchanger from 10 °C to 60 °C (min)	-	14	17	23

OKC and OKC/1m series heaters can be made to order with a heating element with 4000 W and 3 PE-N 400V/50Hz connection. Heating time is decreased to half the value stated in the table.

* These lines do not apply to NTR/Z types, which do not have a heating element.

COMBINED STORAGE WATER HEATERS

Wall-mounted, vertical exchanger 0.68 m² **OKC 180, OKC 200**
 exchanger 1 m² **OKC 180/1 m², OKC 200/1 m²**
OKC 200 NTR/Z

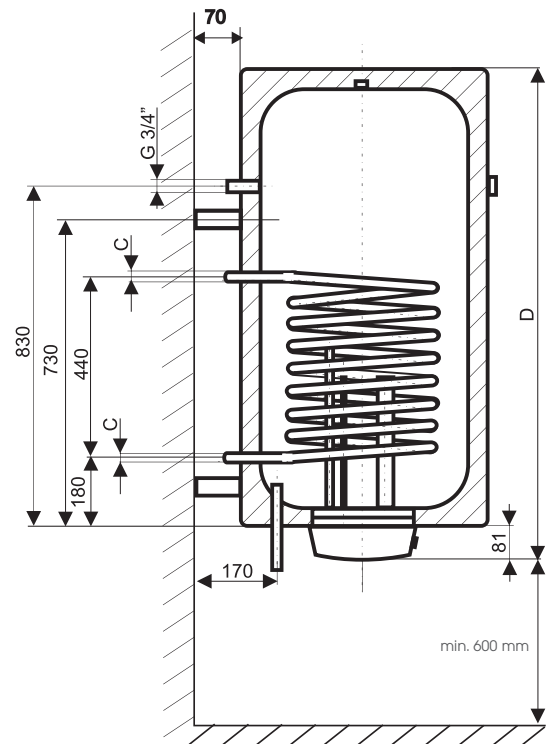


COMBINED water storage heater for vertical mounting

- 1 Temperature indicator
- 2 Coil heat exchanger
- 3 Holder for heating element
- 4 **DRY CERAMIC HEATING ELEMENT – not for NTR/Z**
- 5 Operating thermostat with external control
Safety thermostat
- 6 Cover for electrical equipment
- 7 Filling pipe for cold water
- 8 Holder for operating and safety thermostat
- 9 Discharge pipe for hot water
- 10 Mg anode
- 11 Enamelled steel tank
- 12 Polyurethane CFC-free insulation - 42 mm
- 13 Heater casing



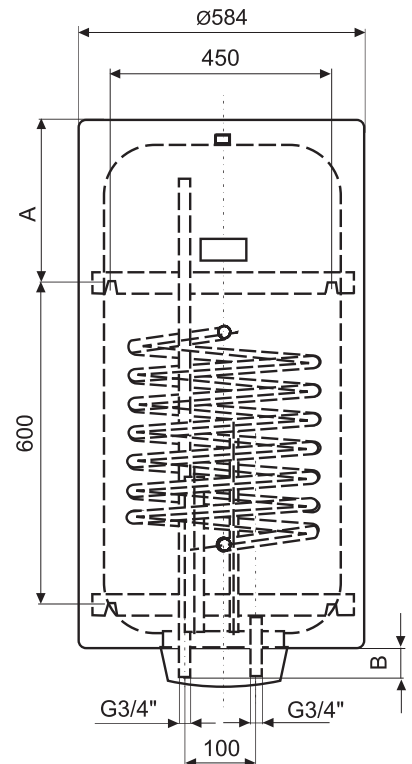
Type	OKC 180	OKC 180/1 m ²	OKC 200	OKC 200/1 m ² OKC 200 NTR/Z
A	388	388	488	488
B	75	75	75	75
C	3/4"	1"	3/4"	1"
D	1200	1200	1300	1300



Type	OKC 180 OKC 180/1 m ²	OKC 200 OKC 200/1 m ² OKC 200 NTR/Z
Volume (l)	175	195
Max. operating overpressure in the tank (MPa)	0.6	0.6
Max. operating overpressure in the exchanger (MPa)	1	1
Voltage (V/Hz)*	1 PE-N 230/50	1 PE-N 230/50
Connected load (kW) *	2.2	2.2
Electrical protection	IP 45	IP 45
Maximum HUW temperature (°C)	80	80
Recommended HUW temperature (°C)	60	60
Height x Diameter (mm)	1200x584	1300x584
Maximum weight of heater without water (kg)	76/82	81/88/87
Heating period with ele. en. from 10 °C to 60 °C (hour)	5	5.5
Heat loss/energy efficiency class (kWh/24 h)	1.39/C	1.4/B

Type	OKC 180	OKC 200
Exchanger heating surface (m ²)	0.68	0.68
Rated exchanger output with a heating water temperature of 80 °C and flow of 720 l/h (kW)	17	17
Heating period with exchanger from 10 °C to 60 °C (min)	40	45
Rated exchanger output with a heating water temperature of 80 °C and flow of 310 l/h (kW)	9	9
Heating period with exchanger from 10 °C to 60 °C (min)	77	86

Type	OKC 180/1 m ²	OKC 200/1 m ² OKC 200 NTR/Z
Exchanger heating surface (m ²)	1.08	1.08
Rated exchanger output with a heating water temperature of 80 °C and flow of 720 l/h (kW)	24	24
Heating period with exchanger from 10 °C to 60 °C (min)	26	28



Upper hinge and lower hinge
180 l, 200 l - 4 anchor screws
Circulation – only for heaters
with a 1m² exchanger
Check dimensions 450 and 600 mm
before drilling.

OKC and OKC/1m series heaters can be made to order with a heating element with 4000 W and 3 PE-N 400V/50Hz connection. Heating time is decreased to half the value stated in the table.

* These lines do not apply to NTR/Z types, which do not have a heating element.